

NOTES:

1 ADD LOCTITE 248 TO END OF THREADS.

FLT541	P/N : CW31633-102	SUBREV : F
DRAWN BY : MAH	DATE : 10.27.10	SHEET 1 OF 4

D

C

B

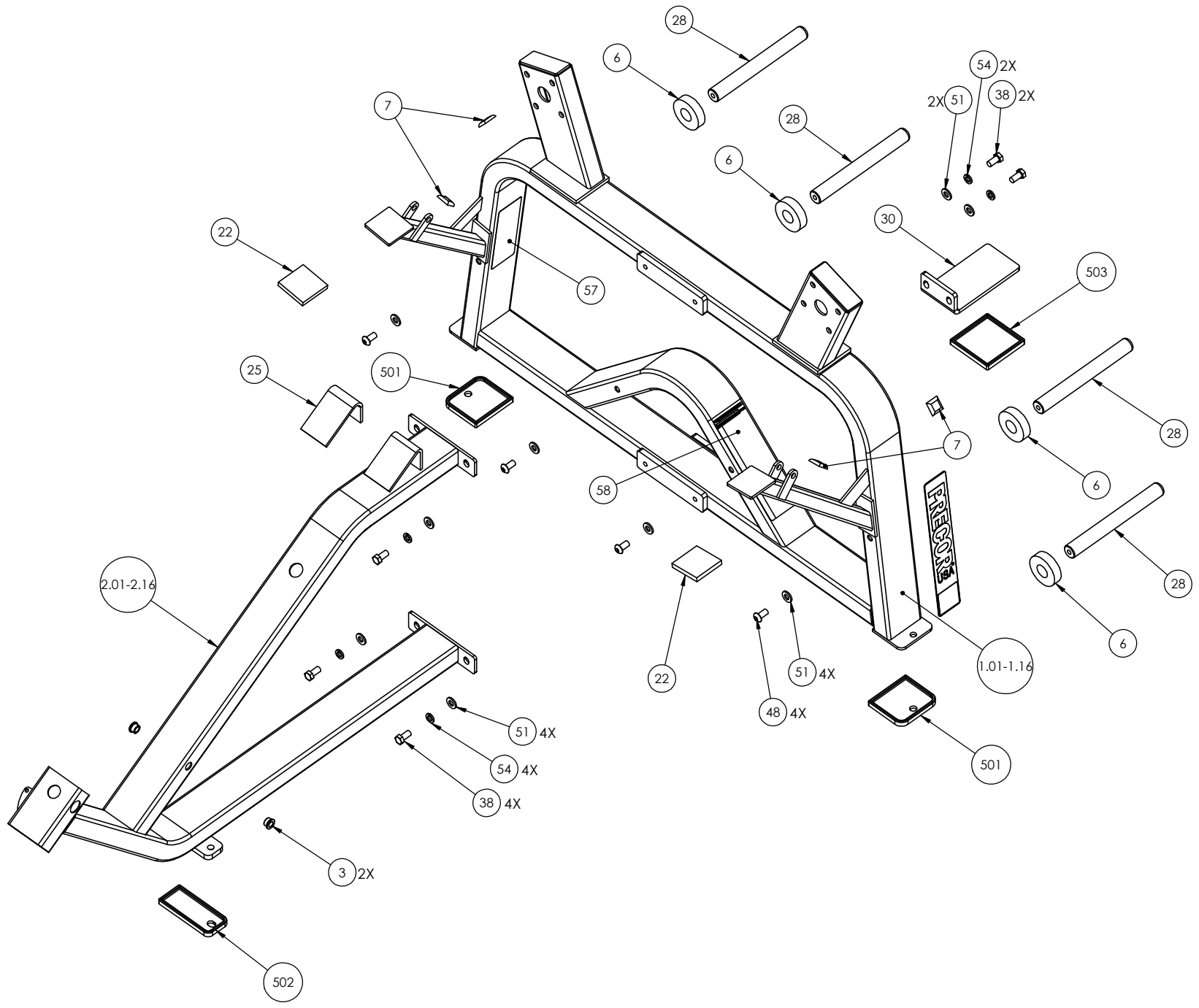
A

4

3

2

1



D

C

B

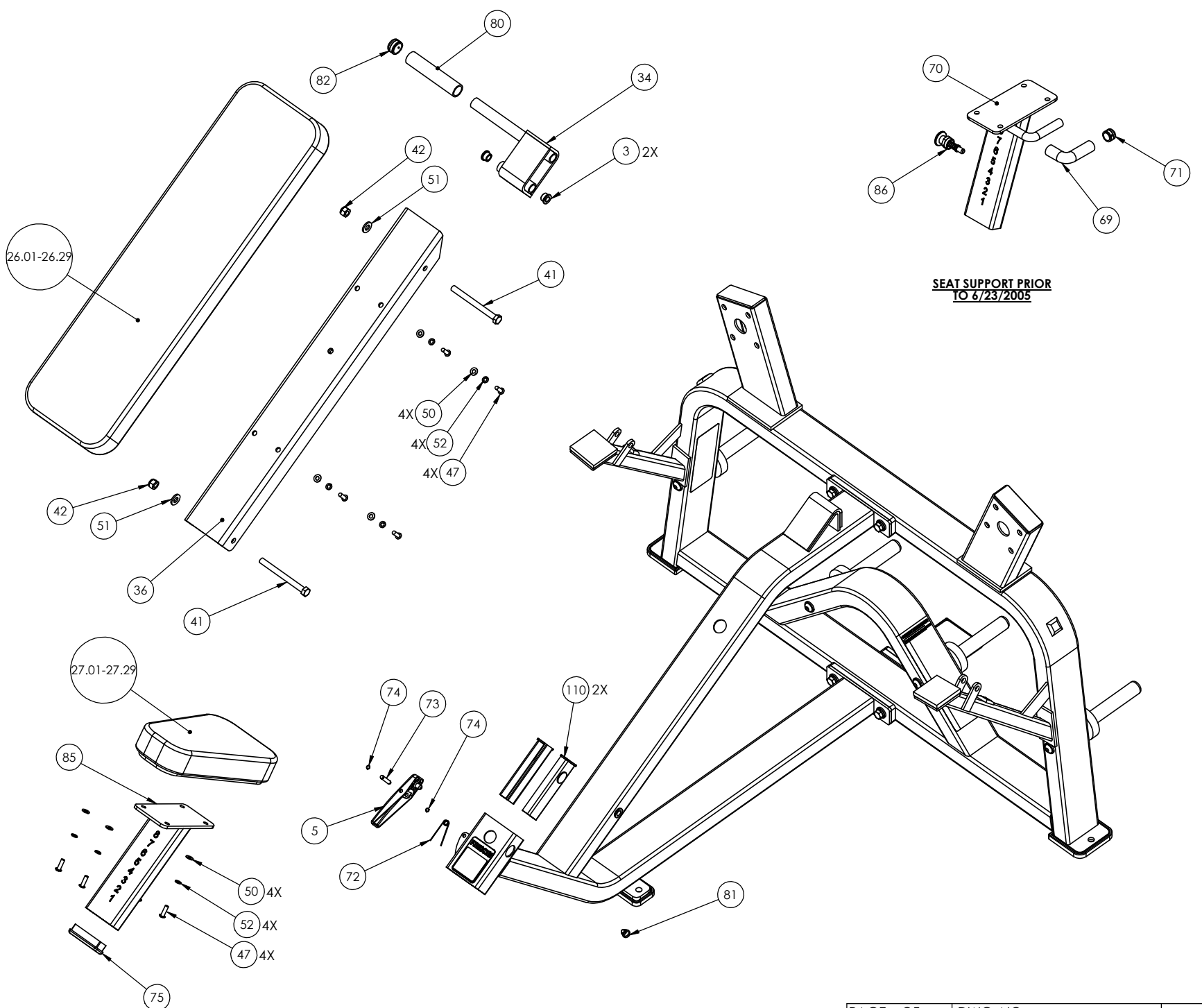
A

4

3

2

1



**SEAT SUPPORT PRIOR
TO 6/23/2005**

D

C

B

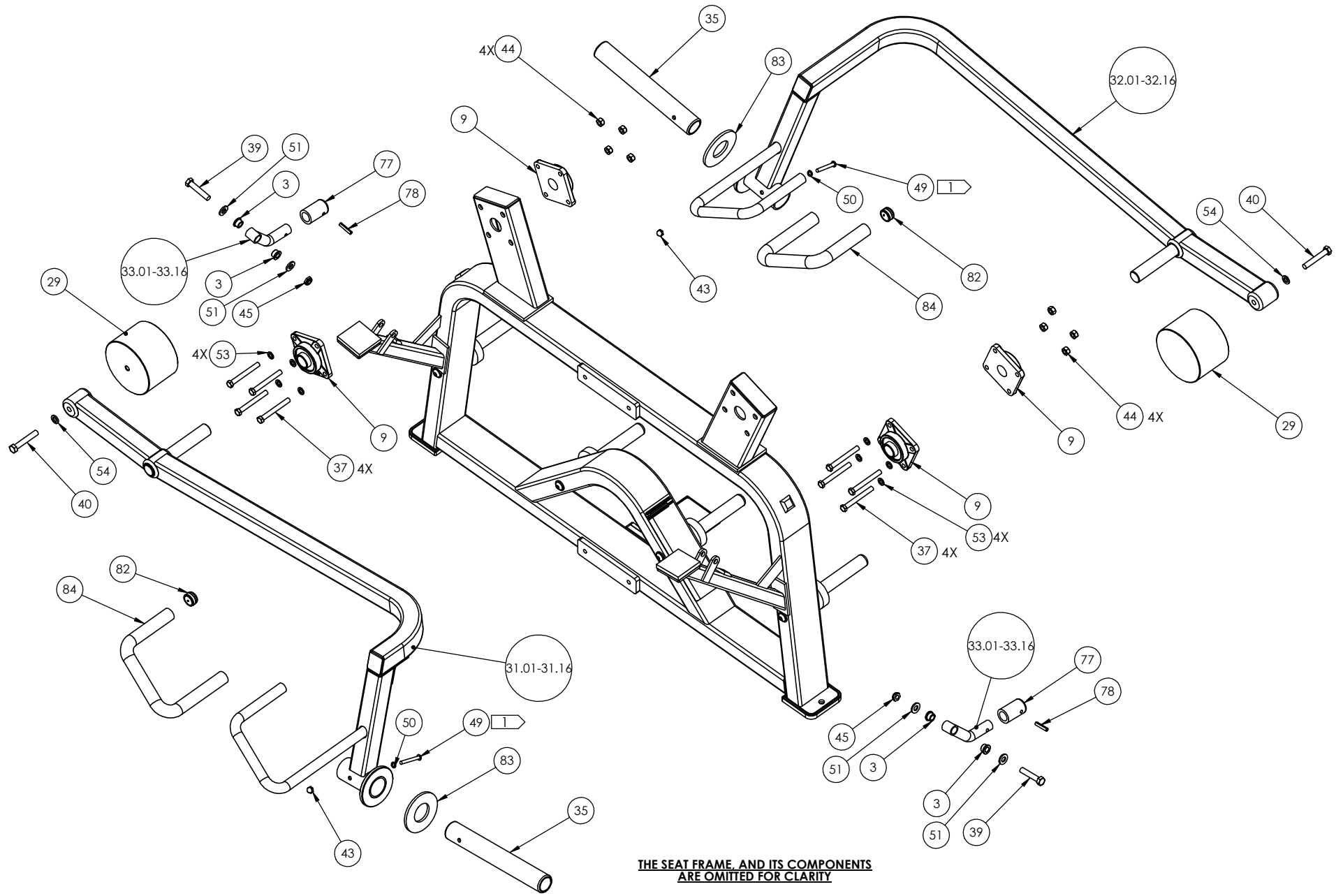
A

4

3

2

1



**THE SEAT FRAME, AND ITS COMPONENTS
ARE OMITTED FOR CLARITY**

PAGE	OF	DWG. NO.	SUBREV
4	4	CW31633-102	F

541 Flite Incline Press

Part Number	Description	Bubble Number
CW541SA1-211	ASSY,FRAME,MAIN,FLT541,SKY WHITE	1.01
CW541SA1-221	ASSY,FRAME,MAIN,FLT541,BLACK	1.02
CW541SA1-231	ASSY,FRAME,MAIN,FLT541,RED	1.03
CW541SA1-241	ASSY,FRAME,MAIN,FLT541,PLAT SPRKLE	1.04
CW541SA1-251	ASSY,FRAME,MAIN,FLT541,SILVER	1.05
CW541SA1-261	ASSY,FRAME,MAIN,FLT541,BLUE	1.06
CW541SA1-271	ASSY,FRAME,MAIN,FLT541,CHARCOAL	1.07
CW541SA1-281	ASSY,FRAME,MAIN,FLT541,CATH GRAY	1.08
CW541SA1-291	ASSY,FRAME,MAIN,FLT541,SILVER VIEN	1.09
CW541SA1-311	ASSY,FRAME,MAIN,FLT541,STONE HG	1.11
CW541SA1-321	ASSY,FRAME,MAIN,FLT541,TITANIUM HG	1.12
CW541SA1-331	ASSY,FRAME,MAIN,FLT541,WHITE GLOSS	1.13
CW541SA1-341	ASSY,FRAME,MAIN,FLT541,BLACK ONYX	1.14
CW541SA1-351	ASSY,FRAME,MAIN,FLT541,LT. BRONZE	1.15
CW541SA1-361	ASSY,FRAME,MAIN,FLT541,SAPPHIRE BL	1.16
CW541SA2-212	ASSY, SEAT FRAME,FLT541,SKY WHITE	2.01
CW541SA2-322	ASSY, SEAT FRAME,FLT541, TITANIUM H	2.12
CW10043-132	BUSHING, BRONZE, 1/2" ID X 3/4" OD	3
CW30070-101	LABEL,INSTRUCTION,FLT541	3
CW10043-132	BUSHING, BRONZE, 1/2" ID X 3/4" OD	4
CW32460-221	ASSY, RATCHETING LEVER, BLACK	5
CW12402-102	BUMPER, ID 1.248 , BLK RUBBER	6
CW12575-101	MOULDED BUMPON, BLACK, 31.75MM SQ (7
CW34822-101	LABEL, "ASSEMBLED IN THE USA"	8
CWAC1161-101	LABEL, ROUND, "MADE IN USA"	8
CW12407-101	PILLOW BLOCK, BEARING, FLANGE, 4 BO	9
CWAC1170-101	LABEL, "FLITE", 1 3/4 X 6 1/4	10
CWAC1171-101	LABEL, "FLITE", 3 1/2 X 12 3/4	11
CWAC1183-101	LABEL, WARNING, SERIOUS INJURY	12
CWAC1186-101	LABEL, FLITE SERIAL NUMBER	13
CW32212-711	ASSEMBLY, SEATPAD ADJUSTMENT, 8 HO	21
CW30014-209	CUT PIECE, CREPE, 3/8 THICK, 3.00 X	22
CW30013-305	CUT PIECE, CREPE, 1/4 THICK, 3.00 X	25
CWPD1102J-101	PAD,FLAT,10X36,4HOLES,W/BP,BLACK,W/	26.01
CWPD1102J-102	PAD,FLAT,10X36,4HOLES,W/BP,RYL BL,W	26.02
CWPD1102J-103	PAD,FLAT,10X36,4HOLES,W/BP,DVE GRY,	26.03
CWPD1102J-104	PAD,FLAT,10X36,4HOLES,W/BP,CROCUS,W	26.04
CWPD1102J-105	PAD,FLAT,10X36,4HOLES,W/BP,GROTTO,W	26.05
CWPD1102J-106	PAD,FLAT,10X36,4HOLES,W/BP,GRAPHITE	26.06
CWPD1102J-107	PAD,FLAT,10X36,4HOLES,W/BP,RED,W/SL	26.07
CWPD1102J-108	PAD,FLAT,10X36,4HOLES,W/BP,CHN GRN,	26.08
CWPD1102J-109	PAD,FLAT,10X36,4HOLES,W/BP,TURQSE,W	26.09
CWPD1102J-110	PAD,FLAT,10X36,4HOLES,W/BP,RASP,W/S	26.1
CWPD1102J-111	PAD,FLAT,10X36,4HOLES,W/BP,PLUM,W/S	26.11
CWPD1102J-112	PAD,FLAT,10X36,4HOLES,W/BP,REGIMENT	26.12
CWPD1102J-113	PAD,FLAT,10X36,4HOLES,W/BP,SPC BLUE	26.13
CWPD1102J-115	PAD,FLAT,10X36,4HOLES,W/BP,BLK LTHR	26.15
CWPD1102J-116	PAD,FLAT,10X36,4HOLES,W/BP,NVBL LTH	26.16

CWPD1102J-117	PAD,FLAT,10X36,4HOLES,W/BP,PUTTY,W/	26.17
CWPD1102J-118	PAD,FLAT,10X36,4HOLES,W/BP,IMPRL BL	26.18
CWPD1102J-119	PAD,FLAT,10X36,4HOLES,W/BP,YEW GRN,	26.19
CWPD1102J-120	PAD,FLAT,10X36,4HOLES,W/BP,DSTY JDE	26.2
CWPD1102J-121	PAD,FLAT,10X36,4HLS,W/BP,TRRA CTTA,	26.21
CWPD1102J-122	PAD,FLAT,10X36,4HOLES,W/BP,PAPRIKA,	26.22
CWPD1102J-123	PAD,FLAT,10X36,4HLS,W/BP,ASH LTHR,W	26.23
CWPD1102J-124	PAD,FLAT,10X36,4HL,W/BP,CERULN LTH,	26.24
CWPD1102J-125	PAD,FLAT,10X36,4HL,W/BP,CHARCL LTH,	26.25
CWPD1102J-126	PAD,FLAT,10X36,4HLS,W/BP,HUNTER LTH	26.26
CWPD1102J-127	PAD,FLAT,10X36,4HLS,W/BP,MOSS LTH,W	26.27
CWPD1102J-128	PAD,FLAT,10X36,4HLS,W/BP,SPICE LTH,	26.28
CWPD1102J-129	PAD,FLAT,10X36,4HLS,W/BP,TOMATO LTH	26.29
CWPD1207B-101	PAD,5X9X14.5,4HOLES,W/BP,BLACK	27.01
CWPD1207B-102	PAD,5X9X14.5,4HOLES,W/BP,RYL BL	27.02
CWPD1207B-103	PAD,5X9X14.5,4HOLES,W/BP,DVE GRY	27.03
CWPD1207B-104	PAD,5X9X14.5,4HOLES,W/BP,CROCUS	27.04
CWPD1207B-105	PAD,5X9X14.5,4HOLES,W/BP,GROTTO	27.05
CWPD1207B-107	PAD,5X9X14.5,4HOLES,W/BP,RED	27.07
CWPD1207B-108	PAD,5X9X14.5,4HOLES,W/BP,CHN GRN	27.08
CWPD1207B-109	PAD,5X9X14.5,4HOLES,W/BP,TURQSE	27.09
CWPD1207B-111	PAD,5X9X14.5,4HOLES,W/BP,PLUM	27.11
CWPD1207B-113	PAD,5X9X14.5,4HOLES,W/BP,SPC BLUE	27.13
CWPD1207B-118	PAD,5X9X14.5,4HOLES,W/BP,IMPRL BL	27.18
CWPD1207B-119	PAD,5X9X14.5,4HOLES,W/BP,YEW GRN	27.19
CWPD1207B-120	PAD,5X9X14.5,4HOLES,W/BP,DSTY JD	27.2
CWPD1207B-121	PAD,5X9X14.5,4HOLES,W/BP,TER COT	27.21
CWPD1207B-122	PAD,5X9X14.5,4HOLES,W/BP,PAPRIKA	27.22
CWPD1207B-123	PAD,5X9X14.5,4HLS,W/BP,ASH LTHR	27.23
CWPD1207B-125	PAD,5X9X14.5,4HLS,W/BP,CHARCOAL LTH	27.25
CWPD1207B-126	PAD,5X9X14.5,4HLS,W/BP,HUNTER LTHR	27.26
CWPD1207B-127	PAD,5X9X14.5,4HLS,W/BP,MOSS LTHR	27.27
CWPD1207B-128	PAD,5X9X14.5,4HLS,W/BP,SPICE LTHR	27.28
CWPD1207B-129	PAD,5X9X14.5,4HLS,W/BP,TOMATO LTH	27.29
CWPF1725-741	BAR,STEEL RND, DIA 1 1/4" X (11), 1	28
CWPF3449-721	BAR, STEEL, RND, DIA 6" X 4, 1 HOLE	29
CW33286-731	WELDMENT, STABILITY FOOT,BLACK ZINC	30
CWSA1093-211	ASSY,ARM,LEFT,SKY WHITE	31.01
CWSA1093-221	ASSY,ARM,LEFT,BLACK	31.02
CWSA1093-231	ASSY,ARM,LEFT,RED	31.03
CWSA1093-241	ASSY,ARM,LEFT,PLAT SPKLE	31.04
CWSA1093-251	ASSY,ARM,LEFT,SILVER	31.05
CWSA1093-261	ASSY,ARM,LEFT,BLUE	31.06
CWSA1093-271	ASSY,ARM,LEFT,CHARCOAL	31.07
CWSA1093-281	ASSY,ARM,LEFT,CATH GRY	31.08
CWSA1093-291	ASSY,ARM,LEFT,SILVER VIEN	31.09
CWSA1093-321	ASSY,ARM,LEFT,TITANIUM HG	31.11
CWSA1093-321	ASSY,ARM,LEFT,TITANIUM HG	31.12
CWSA1093-331	ASSY,ARM,LEFT,WHITE GLOSS	31.13
CWSA1093-341	ASSY,ARM,LEFT,BLACK ONYX	31.14
CWSA1093-351	ASSY,ARM,LEFT,LIGHT BRONZE	31.15
CWSA1093-361	ASSY,ARM,LEFT,SAPPHIRE BLUE	31.16

CWSA1094-211	ASSY,ARM,RIGHT,SKY WHITE	32.01
CWSA1094-221	ASSY,ARM,RIGHT,BLACK	32.02
CWSA1094-231	ASSY,ARM,RIGHT,RED	32.03
CWSA1094-241	ASSY,ARM,RIGHT,PLAT SPKLE	32.04
CWSA1094-251	ASSY,ARM,RIGHT,SILVER	32.05
CWSA1094-261	ASSY,ARM,RIGHT,BLUE	32.06
CWSA1094-271	ASSY,ARM,RIGHT,CHARCOAL	32.07
CWSA1094-281	ASSY,ARM,RIGHT,CATH GRY	32.08
CWSA1094-291	ASSY,ARM,RIGHT,SILVER VIEN	32.09
CWSA1094-321	ASSY,ARM,RIGHT,TITANIUM HG	32.11
CWSA1094-321	ASSY,ARM,RIGHT,TITANIUM HG	32.12
CWSA1094-331	ASSY,ARM,RIGHT,WHITE GLOSS	32.13
CWSA1094-341	ASSY,ARM,RIGHT,BLACK ONYX	32.14
CWSA1094-351	ASSY,ARM,RIGHT,LIGHT BRONZE	32.15
CWSA1094-361	ASSY,ARM,RIGHT,SAPPHIRE BLUE	32.16
CWSA1095-211	ASSY, SWIVEL HEIGHT ADJ, SKY WHITE	33.01
CWSA1095-221	ASSY, SWIVEL HEIGHT ADJ, BLACK	33.02
CWSA1095-231	ASSY, SWIVEL HEIGHT ADJ, RED	33.03
CWSA1095-241	ASSY, SWIVEL HEIGHT ADJ, PLAT SPKLE	33.04
CWSA1095-251	ASSY, SWIVEL HEIGHT ADJ, SILVER	33.05
CWSA1095-261	ASSY, SWIVEL HEIGHT ADJ, BLUE	33.06
CWSA1095-271	ASSY, SWIVEL HEIGHT ADJ, CHARCOAL	33.07
CWSA1095-281	ASSY, SWIVEL HEIGHT ADJ, CATHGRAY	33.08
CWSA1095-291	ASSY, SWIVEL HEIGHT ADJ, SILVER VIE	33.09
CWSA1095-311	ASSY, SWIVEL HEIGHT ADJ, STONE HG	33.11
CWSA1095-321	ASSY, SWIVEL HEIGHT ADJ, TITANIUM H	33.12
CWSA1095-331	ASSY, SWIVEL HEIGHT ADJ, WHITE GLOS	33.13
CWSA1095-341	ASSY, SWIVEL HEIGHT ADJ, BLACK ONYX	33.14
CWSA1095-351	ASSY, SWIVEL HEIGHT ADJ, LIGHT BRON	33.15
CWSA1095-361	ASSY, SWIVEL HEIGHT ADJ, SAPPHIRE B	33.16
CWSA2006-721	ASSY, TILT ADJUST, FLT541, WRKL BLK	34
CWSA2042-741	ASSY, WEIGHT HOLDER,	35
CWSA2050-721	ASSY,ADJUSTABLE BACK PAD FRAME,FLT5	36
CWHCYN044-375	SCREW, HEX HEAD , BLK XYLA	37
CWHCYN050-100	SCREW,HEX HEAD,BLK XYLAN,1/2-13 X 1	38
CWHCYN050-250	SCREW, HEX HEAD, BLK XYLAN, 1/2-13	39
CWHCYN050-350	SCREW, HEX HEAD, BLK XYLAN, 1/2-13	40
CWHCYN050-550	SCREW, HEX,BLK, 1/2-13 X 5 1/2	41
CWKDYN050-059	LOCKNUT, NYLON INSERT, FULL, UNC, 1	42
CWKADLN031-053	NUT, ACORN, 5/16-18	43
CWKMYN044-038	NUT, HEX, UNC, 7/16-14, BLK XYLAN	44
CWKAYN050-031	LOCKNUT, NYLON INSERT, HALF, UNC, 1	45
CWTAYN031-150	SCREW, BUTTON HEAD, BLK XYLAN, 5/16	47
CWTAYN050-100	SCREW, BUTTON HEAD, BLK XYLAN, 1/2	48
CWTAYN031-250	SCREW, BUTTON HEAD, BLK XYLAN, 5/1	49
CWWBKN031-007	WASHER, FLAT, TYPE A, SAE, 5/16 ID	50
CWWBKN050-010	WASHER, FLAT, TYPE A, SAE, 1/2 ID X	51
CWWBKN031-007	WASHER, FLAT, TYPE A, SAE, 5/16 ID	52
CWWALYN031-008	WASHER, SPLIT, 5/16 ID, BL	52
CWWALYN044-011	WASHER, SPLIT, 7/16 ID, BLK XYLAN	53
CWWALYN050-013	WASHER, SPLIT, 1/2 ID, BLK XYLAN	54
CW34822-101	LABEL, "ASSEMBLED IN THE USA"	55

CW30070-101	LABEL,INSTRUCTION,FLT541	58
CW12634-101	SPRING, TORSION 90 DEG X 0.484 X 0.	72
CW31770-742	LATCH PIVOTING PIN, CLR ZN	73
CWAMNN028-003	RING, RETAINING, 2-TURN, SPIRAL, SS	74
CWCP1017-101	CUT PIECE, UHMW, 1 1/2 OD X 1 ID X	77
CWLDNN031-150	SLOTTED PIN SPRING, DIA. 5/16 X 1 1	78
CWGR4606-000	GRIP, RUBBER, 1.00" OD HANDLE, 6.00	80
CW31784-731	STOP PLUG, BLK ZN	81
CWAC218-901	HANDLE END CAP W/SET SCREWS, DIA 1"	82
CWCP1002-101	CUT PIECE, CREPE, 1/4 X 2 ID X 4 1/	83
CWGR4621-000	GRIP, RUBBER, 1.00" OD HANDLE, 21.0	84
CWAC1236-102	GUIDE INSERT, PLASTIC WITH HOLE, BL	110
CWAC1177-101	FLOOR PROTECTOR, RUBBER, 4.563 X 4.	501
CWAC1178-101	FLOOR PROTECTOR, RUBBER, 2.563 X 6.	502
CWAC1181-101	FLOOR PROTECTOR, RUBBER, 4.563 X 4.	503